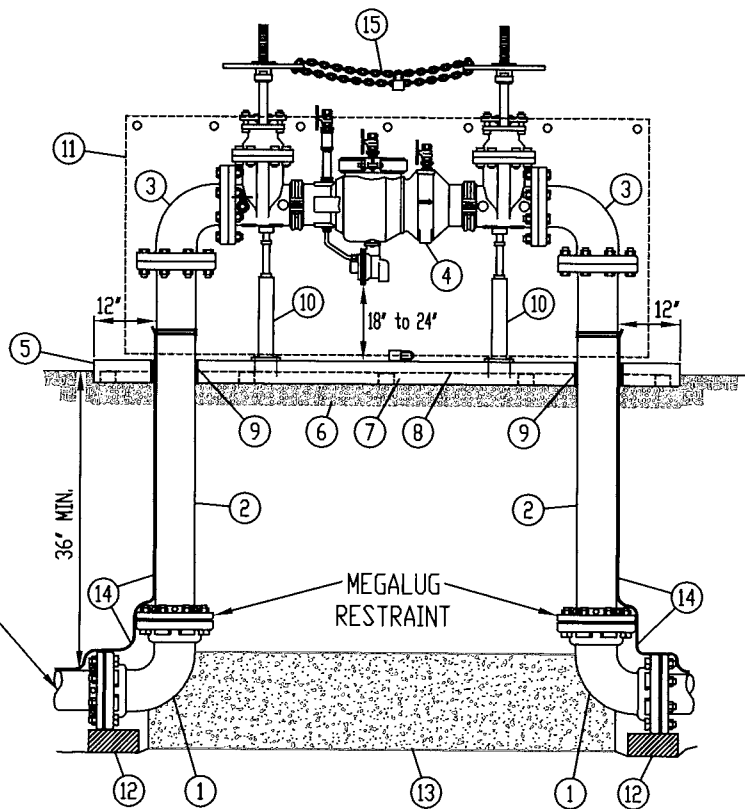


TOP VIEW

NO CONNECTIONS BETWEEN
METER AND BACKFLOW
PREVENTION ASSEMBLY

DIRECTION OF FLOW
→



SIDE VIEW

NOTES:

- REDUCED PRESSURE BACKFLOW PREVENTION ASSEMBLY SHALL BE PLUMB.
- BOLT TORQUE ON ALL FITTINGS SHALL CONFORM TO MANUFACTURER'S SPECIFICATIONS.
- CONTACT CITRUS HEIGHTS WATER DISTRICT FOR REBAR INSPECTION PRIOR TO POURING CONCRETE. (916) 725-6873
- MATERIAL BELOW AGGREGATE BASE SHALL BE COMPACTED TO 90% MINIMUM.
- REINFORCED CONCRETE PAD SHALL BE FINISHED WITH AN EDGING TOOL AROUND THE ENTIRE PERIMETER AND BROOMED AT RIGHT ANGLES TO THE DIRECTION OF TRAVEL.
- PAINT REDUCED PRESSURE BACKFLOW PREVENTION ASSEMBLY USING A MANUFACTURER'S RECOMMENDED PRIMER, FINISH WITH RUSTOLEUM GLOSS WHITE, TWO COATS MINIMUM. PRIOR TO PAINTING, CLEAN ALL SURFACES WITH SOAP AND WATER USING AN ABRASIVE PAD.
- RPA SHALL BE TESTED BY A CHWD CERTIFIED BACKFLOW PREVENTION ASSEMBLY TESTER PRIOR TO DISTRICT ACCEPTANCE OF FACILITIES.
- RPDA SHALL BE APPROVED BY THE FOUNDATION FOR CROSS CONNECTION CONTROL AND HYDRAULIC RESEARCH AT THE UNIVERSITY OF SOUTHERN CALIFORNIA.

1	90° ELBOW - DUCTILE IRON, MECHANICAL JOINT x MECHANICAL JOINT	8	3/8" (#3) REBAR - 2" INSIDE PERIMETER
2	DUCTILE IRON PIPE - FLANGE x PLAIN END, CL53	9	ASPHALT SATURATED ORGANIC FELT - (ROOFING PAPER) ASTM 30, 2 LAYERS AROUND PIPE
3	90° ELBOW - DUCTILE IRON, FLANGE x FLANGE	10	SUPPORT STAND - PLACER WATER WORKS OR EQUAL, STANDARD SADDLE HEIGHT DETERMINED IN FIELD
4	REDUCED PRESSURE ASSEMBLY (RPA) WITH BRASS PLUGS INSTALLED IN ALL TEST COCKS. - WILKINS 375A w/DS&Y OR EQUAL.	11	WEATHER FREEZE BAG - POLAR BAG w/ CALLIPE FABRIC (8-YEAR WARRANTY), CONTACT ROSEVILLE AUTO UPHOLSTERY, PADLOCK BY CHWD.
5	REINFORCED CONCRETE PAD - 4" THICK x 36' WIDE, TYPE II SIX-SACK PORTLAND CEMENT	12	CONCRETE BRICK - 2 1/4" x 3 3/4" x 7 1/2"
6	3/4" CLASS 2 AGGREGATE BASE - 2" MINIMUM, MECHANICALLY COMPACTED TO 90%	13	CONCRETE THRUST BLOCK - SEE DETAIL TB_001
7	CONCRETE DOBIE w/ WIRE	14	#10 INSULATED COPPER LOCATOR WIRE w/ HOSE CLAMP 6" ABOVE CONCRETE PAD
		15	3/8" NON-CASE HARDENED CHAIN AND BREAKABLE SHACKLE LOCK



**CITRUS
HEIGHTS
WATER
DISTRICT**

**3" AND LARGER REDUCED PRESSURE BACKFLOW
PREVENTION ASSEMBLY**

CITRUS HEIGHTS WATER DISTRICT

APPROVED BY:

Robert A. Churchill

DATE: 12/4/14

CITRUS HEIGHTS WATER DISTRICT

DRAWN: 3 DEC 2014

REVISED:

SCALE: N.T.S.

DESIGN: P.A.D.

CAD FILE: RP_320.DWG

PAGE:

RP_320