

CONCRETE PAD SIZE:

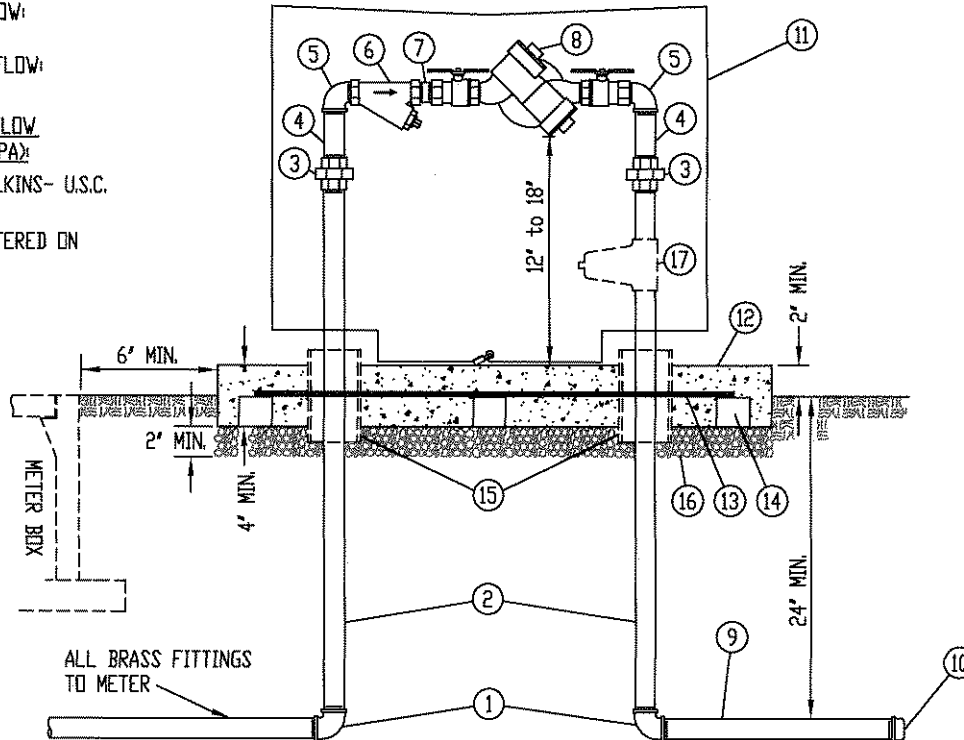
- 3/4' to 1' BACKFLOW: (29'x43')
- 1 1/4' to 2' BACKFLOW: (29'x55')

REDUCED PRESSURE BACKFLOW PREVENTION ASSEMBLY (RPA):

- FEBCO, WATTS, WILKINS- U.S.C. APPROVED.
- PIPING TO BE CENTERED ON CONCRETE PAD

PADLOCK:

- BY OTHERS



NOTES:

- REDUCED PRESSURE BACKFLOW PREVENTION ASSEMBLY SHALL BE PLUMB.
- CONTACT CITRUS HEIGHTS WATER DISTRICT FOR REBAR INSPECTION PRIOR TO POURING CONCRETE. (916) 725-6873
- MATERIAL BELOW AGGREGATE BASE SHALL BE COMPACTED TO 90% MINIMUM.
- REINFORCED CONCRETE PAD SHALL BE FINISHED WITH AN EDGING TOOL AROUND THE ENTIRE PERIMETER AND BROOMED AT RIGHT ANGLES TO THE DIRECTION OF TRAFFIC.
- RPA SHALL BE TESTED BY A SACRAMENTO COUNTY CERTIFIED BACKFLOW PREVENTION ASSEMBLY TESTER PRIOR TO DISTRICT ACCEPTANCE OF FACILITIES.
- COLOR OF WEATHER FREEZE BAG TO BE DETERMINED BY DISTRICT INSPECTOR.

1	BRASS ELBOW	11	WEATHER FREEZE BAG w/ LOCK - POLAR BAG w/ CALLIOPE FABRIC (8-YEAR WARRANTY).
2	BRASS NIPPLE - CONTINUOUS	12	REINFORCED CONCRETE PAD - TYPE II SIX-SACK PORTLAND CEMENT - SEE ABOVE NOTE FOR PAD SIZE
3	BRASS UNION	13	3/8" (#3) REBAR - 2" INSIDE PERIMETER
4	3" OR 4" BRASS NIPPLE	14	CONCRETE DOBIE w/WIRE - 3' x 3' x 2'
5	BRASS STREET ELBOW	15	3" PVC SLEEVES - SAND FILLED
6	WYE STRAINER - BRONZE W/ PLUG	16	3/4" CLASS 2 AGGREGATE BASE - 2" MINIMUM, MECHANICALLY COMPACTED TO 90%
7	CLOSE BRASS NIPPLE	17	PRESSURE REGULATOR - AS DETERMINED BY THE APPROPRIATE GOVERNING AUTHORITY
8	REDUCED PRESSURE BACKFLOW PREVENTION ASSEMBLY w/ BALL VALVES and TEST COCKS w/ BRASS PLUGS (4) - SEE ABOVE NOTE FOR FURTHER INFORMATION		
9	24" BRASS NIPPLE		
10	PVC CAP - SCH 40, THREADED		



**CITRUS
HEIGHTS
WATER
DISTRICT**

3/4" TO 2" REDUCED PRESSURE BACKFLOW PREVENTION ASSEMBLY w/ WEATHER FREEZE BAG

CITRUS HEIGHTS WATER DISTRICT

APPROVED BY: Robert A. Churchill DATE: 4/13/2009
CITRUS HEIGHTS WATER DISTRICT

DRAWN: 13 APR 2009

REVISED:

SCALE: N.T.S.

DESIGN: P.A.D.

CAD FILE: RP_311.DWG

PAGE:

RP_311