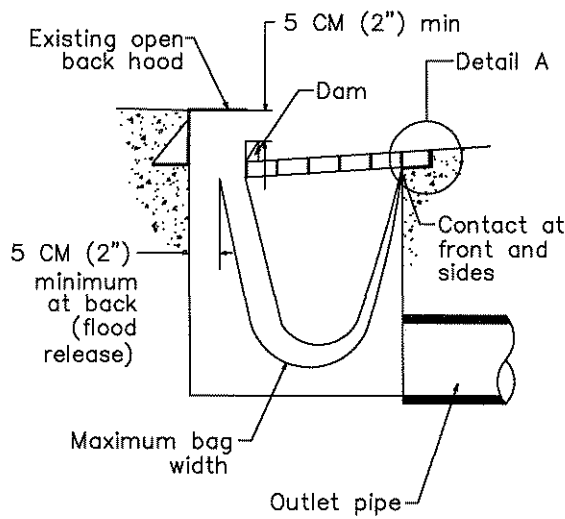
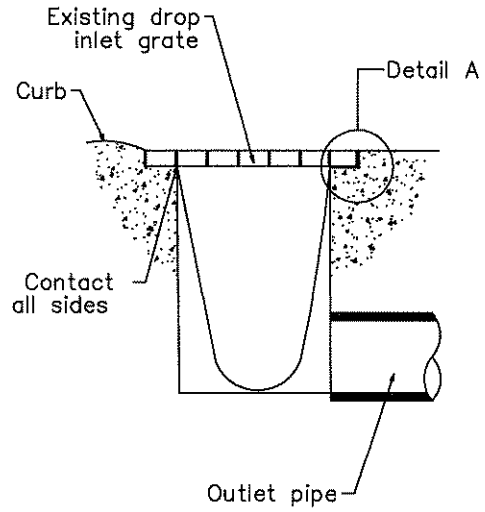


DETAIL A



PLACEMENT AT CURB INLETS



PLACEMENT AT AREA INLETS



**CITRUS
HEIGHTS
WATER
DISTRICT**

**STORM DRAIN INLET PROTECTION
FILTER BAG INSTALLATION**

CITRUS HEIGHTS WATER DISTRICT

APPROVED BY:

Robert A. Christie

DATE: 4/13/2009

CITRUS HEIGHTS WATER DISTRICT

DRAWN: 13 APR 2009

REVISED: NONE

SCALE: N.T.S.

DESIGN: P.A.D.

CAD FILE: SWPPP_100.DWG

PAGE:

SWPPP_100