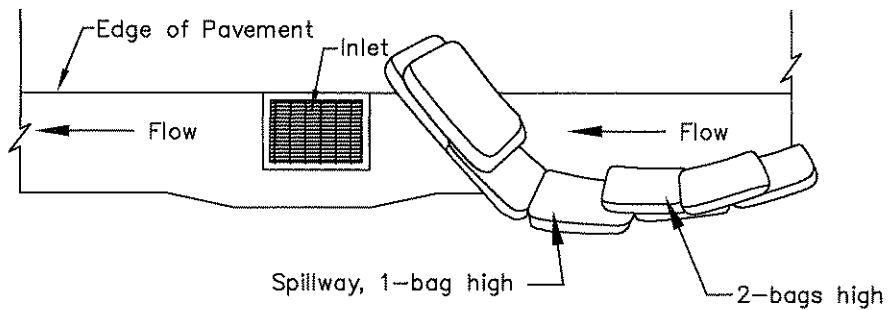


TYPICAL PROTECTION FOR INLET ON SUMP



TYPICAL PROTECTION FOR INLET ON GRADE

NOTES:

1. Intended for short-term use.
2. Use to inhibit non-storm water flow.
3. Allow for proper maintenance and cleanup.
4. Bags must be removed after adjacent operation is completed
5. Not applicable without filter fabric in areas with high silts and clays.



**CITRUS
HEIGHTS
WATER
DISTRICT**

**STORM DRAIN INLET PROTECTION
CURB INLET INSTALLATION**

CITRUS HEIGHTS WATER DISTRICT

APPROVED BY:
Robert A. Clarke
CITRUS HEIGHTS WATER DISTRICT

DATE: 4/13/2009

DRAWN: 13 APR 2009

REVISED: NONE

SCALE: N.T.S.

DESIGN: P.A.D.

CAD FILE: SWPPP_101.DWG

PAGE:

SWPPP_101