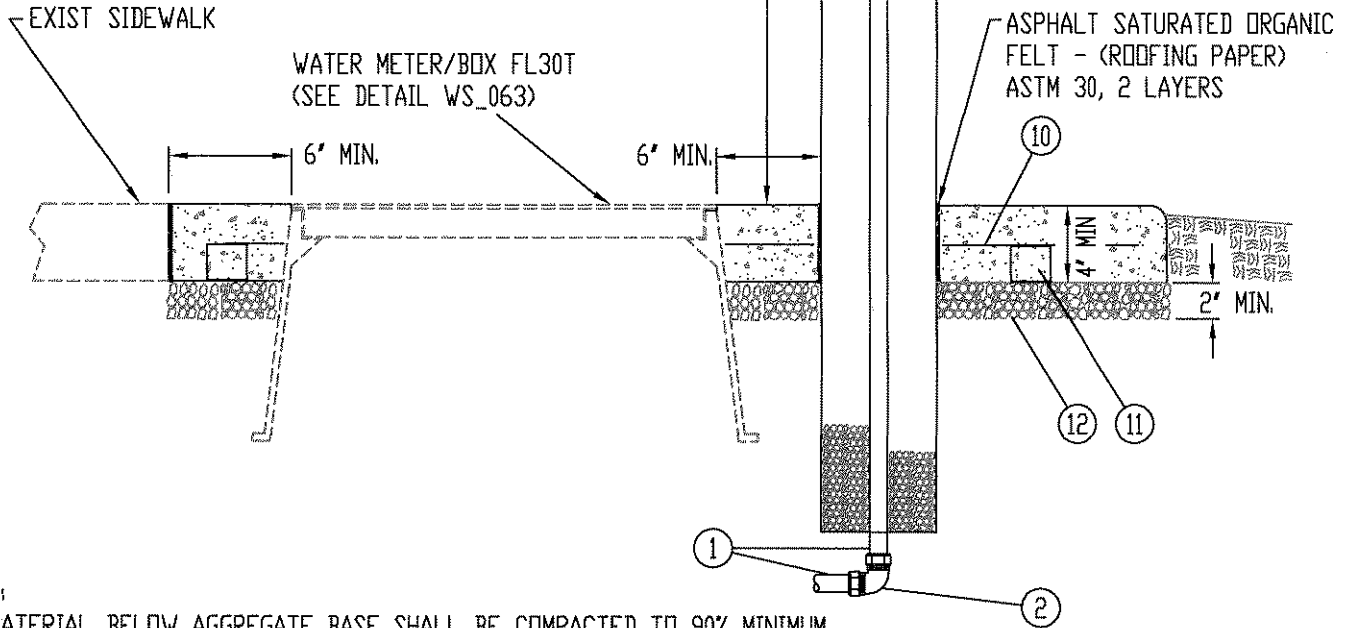


TOP VIEW



NOTE:

1. MATERIAL BELOW AGGREGATE BASE SHALL BE COMPACTED TO 90% MINIMUM.
2. REINFORCED CONCRETE PAD SHALL BE FINISHED WITH AN EDGING TOOL AROUND THE ENTIRE PERIMETER AND BROOMED AT RIGHT ANGLES TO THE DIRECTION OF TRAVEL.

1	3/4" COPPER TUBING - TYPE K HARD	8	PEA GRAVEL - ENTIRE LENGTH OF ENCLOSURE
2	3/4" BRASS ELBOW - CTS COMP	9	REINFORCED CONCRETE PAD - TYPE II SIX-SACK PORTLAND CEMENT
3	3/4" SWEAT x MIP ADAPTOR		
4	3/4" x 1/2" BRASS BELL REDUCER	10	3/8" (#3) REBAR - 2" INSIDE PERIMETER
5	1/2" x 3" BRASS NIPPLE	11	CONCRETE DOBIE w/ WIRE - 3" x 3" x 2"
6	1/2" x 3/8" WATER QUALITY SAMPLE VALVE (INCLUDED w/#7)	12	3/4" CLASS 2 AGGREGATE BASE - 2" MINIMUM MECHANICALLY COMPACTED TO 90%
7	PROTECTIVE ENCLOSURE - KORALEEN STATION GUARD XLT #0001-3		



**CITRUS
HEIGHTS
WATER
DISTRICT**

WATER SAMPLING STATION

CITRUS HEIGHTS WATER DISTRICT

APPROVED BY:

Robert A. Clark
CITRUS HEIGHTS WATER DISTRICT

DATE:

4/13/2009

DRAWN: 13 APR 2009

REVISED:

SCALE: N.T.S.

DESIGN: P.A.D.

CAD FILE: WS_079.DWG

PAGE:

WS_079